

HYDRIM C61wd G4

INSTRUMENT WASHER

- Installation Manual and Preventative Maintenance Schedule
- Manuel d'installation et calendrier d'entretien préventif
- Installationshandbuch mit Wartungsinformationen und - intervallen
- Manuale di installazione e programma di manutenzione preventiva
- Manual de instalación y programa de mantenimiento preventivo



HYDRIM C61wd G4 Installation Manual 95-113166 Rev. 1.0 Copyright 2013 SciCan Ltd. All rights reserved.

HYDR/M C61wd G4 Installation Instructions

Environmental requirements	3
Unit installation checklist	4
Unit installation	4
Installation configurations	4
Set up	6
Checking water quality	10
Connecting to a network	11
Connecting to a wireless network	11
Testing the unit	12
Performance Testing the unit	12
User training	13
Unit handover	14
Annual Service Requirements	15

HYDR/M and STAT/M are registered trademarks of SciCan Ltd. BRAVO, HIP, and SysTM are trademarks of SciCan Ltd. All other trademarks referred to in this manual are the property of their respective owners.

For all service and repair inquiries:

In Canada 1-800-870-7777
United States: 1-800-572-1211
Germany: +49 (0)7561 98343 - 0
International: (416) 446-4500
Email: techservice.ca@scican.com

EU Representative

SciCan GmbH
Wangener Strasse 78
88299 Leutkirch GERMANY
Tel.: +49 (0)7561 98343 - 0
Fax: +49 (0)7561 98343 - 699

SciCan Medtech

Alpenstrasse 16
CH-6300 ZUG SWITZERLAND
Phone: +41 (0) 41 727 7027
Fax: +41 (0) 41 727 7029

Manufactured by:

SciCan

1440 Don Mills Road,
Toronto ON M3B 3P9
CANADA

Phone: (416) 445-1600
Fax: (416) 445-2727
Toll free: 1-800-667-7733



HYDR/M C61wd G4 Installation Instructions

NOTE:

- The HYDR/M C61wd G4 unit should only be installed by a trained, SciCan approved technician.
- Installation should only proceed after the satisfactory completion of the pre installation documentation.

Model Number _____ Serial no. _____

There are several factors that may affect the performance of your HYDR/M. Please review these factors, before installation and ensure the location is suitable.

Temperature and Humidity

Avoid installing your HYDR/M in direct sunlight or close to a heat source (e.g. vents or radiators). The recommended operating temperatures are +5 to +40°C with humidity of 80% for temperatures up to 31°C and 50% for temperatures up to 40°C.

Spacing

The vents and openings on the HYDR/M should remain uncovered and unobstructed. Do not move the HYDR/M C61wd G4 into place by maneuvering the open wash chamber door. This may cause the door to become misaligned and can cause leakage.

Venting

The HYDR/M should be operated in a clean, dust free environment.

Work Surface

The HYDR/M should be placed on a flat, level, water-resistant surface. Never install and operate the unit on a sloped surface.

Electromagnetic Environment

The HYDR/M has been tested and meets applicable standards for electromagnetic emissions. While the unit does not emit any radiation, it may itself be affected by other equipment which does. We recommend that the unit be kept away from potential sources of interference.

Electrical Requirements

Use properly grounded and fused power sources with the same voltage rating as indicated on the label at the back of your HYDR/M. Avoid multiple outlet receptacles. If using a surge suppressor power bar, plug in one HYDR/M only.


WARNING: NEVER LOCATE THE HYDR/M WITH THE ELECTRICAL OUTLET RECEPTACLE BEHIND THE MACHINE!

HYDRIM C61wd G4 Installation Instructions

Unit installation checklist

NOTE: Refer to Operator's manual during installation for operating the machine.

1. Inventory Check

Open box and check contents (add  or  as appropriate):

HYDRIM C61wd G4 unit	
Operators manual	
Carrier (trolley)	
Cleaning solution carrier (installed in unit)	
Water feed hose (red) – 'hot'	
Water feed hose (blue) – 'cold'	
Drain tube	
Drain tube clips (x2)	
Water hardness test kit	
Salt for regeneration unit	
Salt funnel	
HEPA Filter (installed in unit)	

NOTE: Additional racks/baskets will be needed to run the unit with instruments. Please refer to the Operator's Manual for different configurations.

NOTE! HIP™ Ultra cleaning solution (CS-HIPC-U) is required to run the machine and is NOT included with the machine. Please ensure cleaning solution has been separately provided prior to installation.

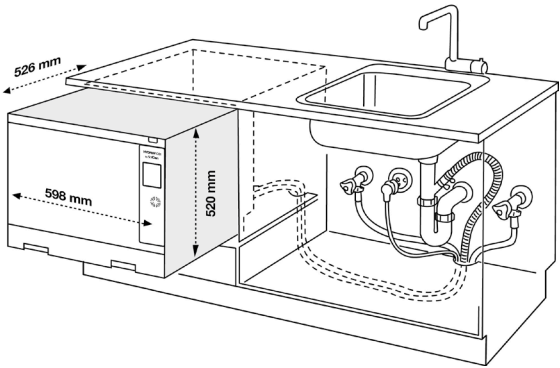
2. Unit installation

Installation configurations

The HYDRIM C61wd G4 may be installed under-bench or free standing dependent on space and service availability.

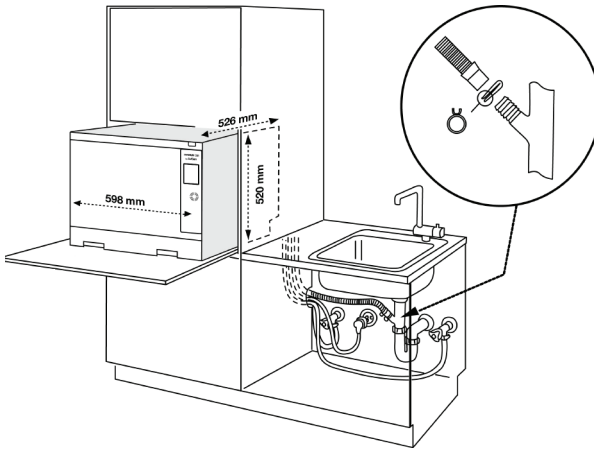
The configuration options are:

Option 1. Cabinet / Sterilization Center

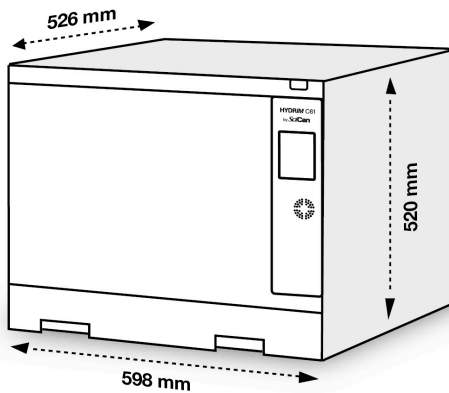


HYDR/IM C61wd G4 Installation Instructions

Option 2. Sliding Shelf



Option 3. Counter Top



NOTE 1 - Although not required, if the HYDR/IM is installed under a counter, it is recommended to allow a 10 mm space at the top, back and both sides of the unit. This will facilitate installation, levelling, and service access to the HYDR/IM.

NOTE 2 - Important! Ventilation during drying is via the front of the machine. Some increase in humidity may be apparent during this drying phase and it is imperative that sufficient air circulation is available surrounding the machine to enable this humidity to be dissipated. Failure to provide adequate ventilation may lead to equipment or cabinetry damage (depending on installation configuration).

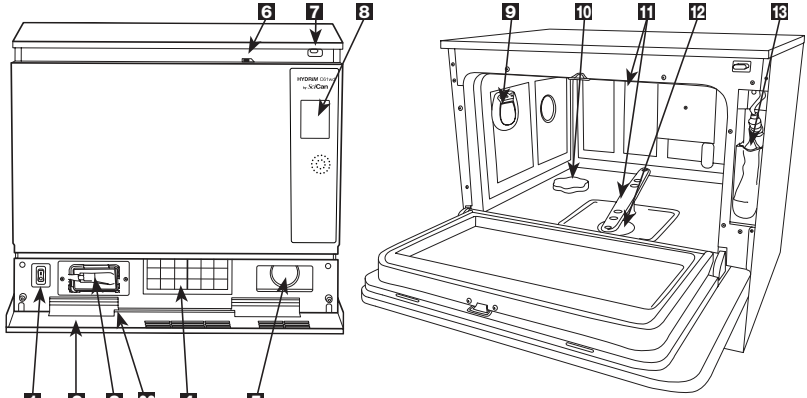
NOTE 3 - The drying system has a filtered air intake. The free movement of air to this intake is important and failure to provide the required space may cause overheating of the dryer motor and/or compromise drying efficiency.

HYDR/M C61wd G4 Installation Instructions

Set up unit as follows:

- Unpack unit and remove all restraining ties
- Locate unit in approximate position

NOTE 1 - Do not move the HYDR/M C61wd G4 into place by maneuvering the open wash chamber door. This may cause the door to become misaligned and can cause leakage.



1 Power switch

2 Kickplate

3 Bacteriological air filter
(if fitted)

4 HEPA filter

5 Dryer exhaust

6 Door latch

7 USB port

8 LCD touchscreen

9 Dryer outlet

10 Water softener

11 Wash arms (top not shown)

12 Coarse filter

13 Cleaning solution
and drawer

14 Drain outlet

15 Ethernet port

16 RS232 port

17 Cold water inlet

18 Hot water inlet

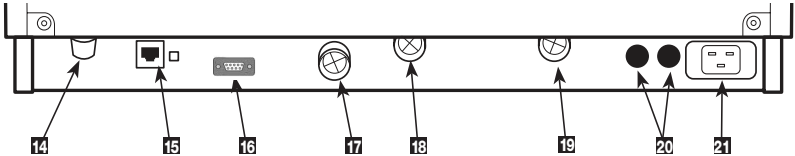
19 R/O water inlet

20 Fuses

21 Power cable connection

22 Drain tube (behind kickplate)

Rear Connections



HYDR/M C61wd G4 Installation Instructions

Connect water feed pipes to machine and relevant services:

Water feed requirements:

Hot water/RO feed with G 3/4" shut off valve (washing machine fitting)	
• Maximum distance from installation less than 1.50 meters	
• Pressure between 2 and 5 bar	
Cold water feed with G 3/4" shut off valve (washing machine fitting)	
• Maximum distance from installation less than 1.50 meters	
• Pressure between 2 and 5 bar	
Reverse Osmosis water feed with G 3/4" shut off valve (washing machine fitting)	
• Maximum distance from installation less than 1.50 meters	
• Pressure between 2 and 5 bar	

Connecting the water inlet hoses (see diagram):

Connect the hot water hose (red) to the hot water inlet valve (18) on the HYDR/M (indicated by a red dot) and the cold water hose (blue) to the cold water inlet valve (17) on the HYDR/M (indicated by a blue dot). Treated water from a reverse osmosis system can be connected to the R/O inlet (19). If fitted with treated water, the software must be adjusted to enable the function of the R/O inlet. The connector with the elbow should be attached to the drain outlet (14) on the back of the HYDR/M unit. The end of the hose with the gasket and the screen should attach to the water supply connector. Make sure that the inlet valves are free of debris (17, 18 & 19).

NOTE 1 - If hot water feed is not available then it must be possible to attach a 'Y' fitting to the cold water feed valve so that both machine pipes can be connected to the cold supply. **The machine will not work with only one supply attached as it requires pressure in both the hot and cold water supplies to activate the feed pressure switches. If R/O water is not enabled, the R/O supply does NOT need an attachment.** Please note that cold fill only will increase cycle times.

NOTE 2 – Water feeds should be adjacent to the machine and not behind it so that the shut off valves may be accessed in case emergency isolation is required and to ensure unit can be inserted fully under the work surface.

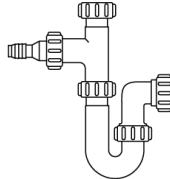
HYDR/M C61wd G4 Installation Instructions

Connect drain tube to machine and relevant services

Drain requirements:

<ul style="list-style-type: none">• Maximum distance from installation is 1.50 meters with supplied drain hose	
<ul style="list-style-type: none">• The maximum length of an extended drain hose should not exceed 3.30 meters	
<ul style="list-style-type: none">• Drain should be no more than 1 meter above the base of the HYDR/M unit	
<ul style="list-style-type: none">• 'P' trap spur connection (preferred method) OR	
<ul style="list-style-type: none">• Standpipe connection	

NOTE 1 – The preferred method of connection of the HYDR/M to the drain is by the use of a 'spurred' 'P' trap fitting.



NOTE 2 – The waste connection pipe is clamped on to the spur by the clips provided with the HYDR/M. Wherever possible, if the HYDR/M is located close to a sink unit, then this method should be used. If the HYDR/M is not close to a sink unit and a 'P' trap cannot be used, then a standpipe with 'U' bend fitting can be used. **This must be a dedicated standpipe. Under no circumstances should any other equipment share the standpipe.**

NOTE 3 – Waste connection should be adjacent to the machine and not behind it.

Connecting the drain hose:

Connect the drain hose to the drain outlet. The drain hose can be attached to existing drain lines using a 3.5 cm or larger standpipe/ P-trap combination. If the hose is connected directly to the drain line, fittings and adapters should not reduce water flow. A floor drain is acceptable (check local codes).

Level machine in final position with adjustable legs	
--	--

For the unit to function properly, it will need to be correctly leveled. To level the unit, follow these steps:

1. Adjust the legs underneath the unit.
2. Use a level as a guide

HYDRIM C61wd G4 Installation Instructions

Connect machine to power supply

Electrical supply requirements:

• Dedicated 12A independent supply (see Note 1 below). OR	
• Standard domestic outlet	
• Voltage: 200-240 VAC \pm 10%, single-phase, 50 Hz or 60 Hz, 12A	
• Located within 1.50 metres maximum	
• Supply location (see notes below)	
• Power cord routing (see note below)	

NOTE 1 – The HYDRIM C61wd G4 is supplied with a domestic fused plug as standard. A dedicated hard wired 12A supply can also be used.

NOTE 2 - Due to the power requirements of the HYDRIM, (Rated load 2 kW) especially during drying, it is advised that no other equipment is connected to the same supply outlet.

NOTE 3 - Power supply outlet should be adjacent to the machine and not behind it. The cable should be routed away from the back panel and hot water inlet hose.